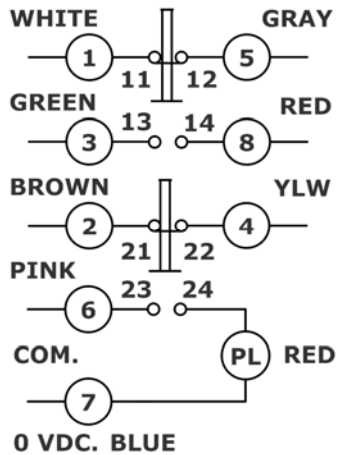


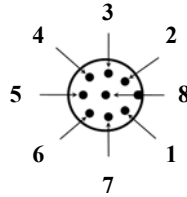
WIRING INFORMATION

04963-242	04963-632	04963-640
94963-242	94963-632	94963-640

Internal schematic



M12



Pin	Color
1	White
2	Brown
3	Green
4	Yellow
5	Gray
6	Pink
7	Blue
8	Red

**8 Pin
A code
Male**

Utilize Female M12 A code cordset for mating connection. Contact factory for additional information.

Catalog Number	M12	Pilot Light	Switch Color	11-12 (NC) Pins		21-22 (NC) Pins		13-14 (NO) Pins		Rating	Notes
04963-632	8P	RH	Yellow	① White	⑤ Gray	② Brown	④ Yellow	③ Green	⑧ Red	24V* 2A Max.	+24V ⑥ Pink 0V ⑦ Blue
94963-632			White								
04963-242		LH	Yellow								
94963-242			White								
04963-640			Yellow								
94963-640			White								

* 30V connector rating reduced for pilot light.

Warning - Danger

These products should only be used where point-of operation guarding devices have been properly installed and maintained so that all appropriate OSHA and ANSI regulations and standards are met. Misapplication of these products on machinery lacking effective point-of-operation safeguards can cause serious injury to the operator of that machinery.

AVERTISSEMENT - DANGER

Ces produit doivent seulement être utilisés sur des postes à risque correctement sécurisés et entretenus afin d'être conforme aux standards et réglementations en vigueur (CSA, CLC). Un mauvais usage de ces produits sur des machines et des postes de travail non sécurisés de manière efficace peut causer des blessures graves au technicien maniant ces machines.

REES, Inc. Fremont, IN 46737 260-495-9811 FAX 260-495-2186 www.reesinc.com

04852-890 Rev. B 121423